

# Aboveground tanks

## Double skinned – vertical

### Description

Double skinned vertical steel tanks from CGH are mainly manufactured according to standard DIN6618 and comes in sizes from 5 to 100 m<sup>3</sup>. Can also be produced according to other standards upon request.

The tanks are manufactured as standard in the following diameters: 1600 - 2000 - 2500 - 2900 mm. Can also be manufactured in special sizes.

Double skinned horizontal tanks are made of two layers of steel and the spacing between the two layers can be continuously monitored by an alarm system so that leaks from the tank cannot take place.

The tanks are normally used for oil and petrol products but can also be used for various chemicals etc. The tanks are normally coated to minimum corrosion class C3M and it recommended that the tanks are also coated on the inside and here we offer various coatings needs.

The tanks are available with a wide selection of accessories such as ladder / platform / railing, complete piping, overfill protection, etc.



Special tank 51 m<sup>3</sup> diameter 3200 mm

- Short delivery times
- High Quality - ISO 9001 certified
- Modern production equipment
- Competitive prices
- Strong partner
- Wide range of accessories

### Quality

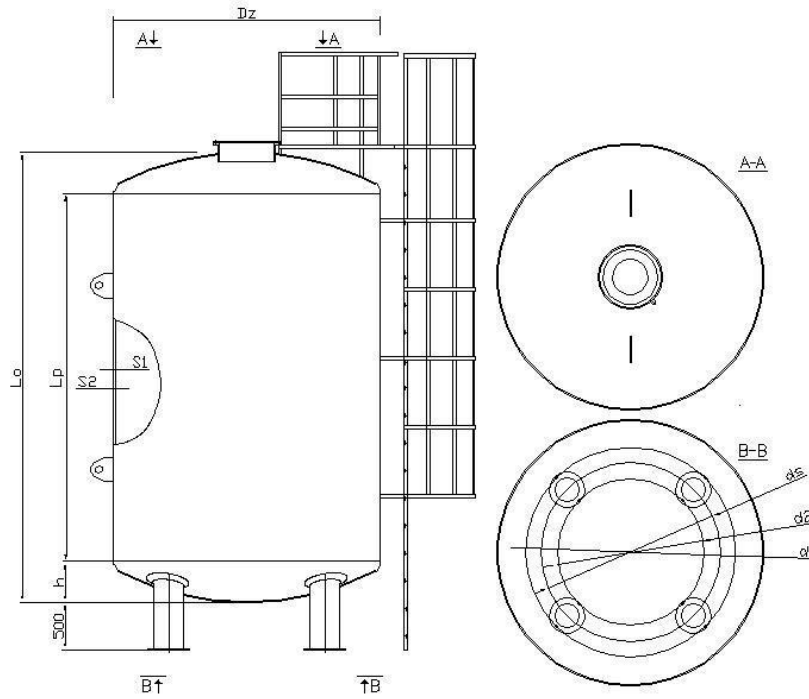
Production takes place according to ISO 9001 and the quality is constantly tested to ensure the highest possible quality of our products. All tanks are supplied with a comprehensive documentation folder containing:

- Tank Certification / approval
- Manufacturing Report
- Pressure Test Report
- Material Specifications
- Drawing
- Test Report of surface treatment
- Guarantee Form
- Installation Instructions



20 m<sup>3</sup> tank diameter på 2500 mm. With ladder and platform on top of tank, fill point to ground level, leak detection system etc.

# Measurements



Volume		Diameter		Total length		Cylindrical length		Weight	Height of dish ends		Man way	Support			Thickness		
V	m <sup>3</sup>	øDz	mm	Lo	mm	Lp	mm	kg	h	mm	mm	Ø	ds	d1	d2	S1	S2
5		1600		2770		2230		1525	270		600	300x5	1200	1440	960	5	3
7		1600		3790		3250		1940	270		600	300x5	1200	1440	960	5	3
10		1600		5290		4750		2540	270		600	300x5	1200	1440	960	5	3
13		1600		6840		6300		3170	270		600	350x5	1150	1440	860	5	3
10		2000		3600		2940		2660	330		600	350x6	1500	1790	1210	6	3
13		2000		4510		3850		3210	330		600	350x6	1500	1790	1210	6	3
16		2000		5520		4860		3820	330		600	350x6	1500	1790	1210	6	3
20		2000		6810		6150		4600	330		600	350x6	1500	1790	1210	6	3
25		2000		8420		7760		5600	330		600	400x6	1500	1840	1160	6	3
20		2500		4500		3700		4540	400		600	400x7	1950	2290	1610	7	4/5
25		2500		5550		4750		5300	400		600	400x7	1950	2290	1610	7	4/5
30		2500		6600		5800		6170	400		600	400x7	1950	2290	1610	7	4/5
40		2500		8800		8000		7880	400		600	400x7	1950	2290	1610	7	4/5
20		2900		3500		2600		5610	450		600	450x9	2400	2790	2010	9	4/5
30		2900		5000		4100		6850	450		600	450x9	2400	2790	2010	9	4/5
40		2900		6580		5680		8440	450		600	450x9	2400	2790	2010	9	4/5
50		2900		8100		7200		10350	450		600	450x9	2400	2790	2010	9	4/5
60		2900		9650		8750		11750	450		600	450x9	2400	2790	2010	9	4/5
80		2900		12750		11850		15400	450		600	450x9	2400	2790	2010	9	4/5
100		2900		15770		14870		18700	450		600	480x9	2400	2820	1980	9	4/5